



# INSTALLATION INSTRUCTIONS

Accessory  
**NOSE MASK**  
P/N 08P35-SZT-100A

Application  
**2015 CR-Z**

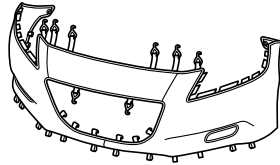
Publications No.  
**VERSION 1**

Issue Date  
**SEP 2014**

Put this information in the glove box with the vehicle owner's manual.

## PARTS LIST

Nose mask



2 Snap-screws



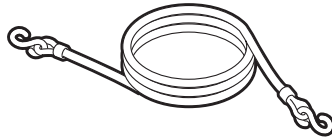
2 Washers



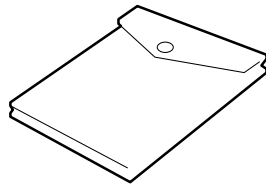
2 Fenderwell nuts



Elastic cord



Storage bag

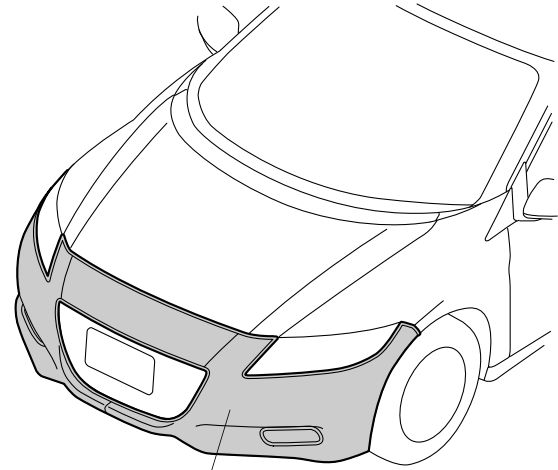


## TOOLS AND SUPPLIES REQUIRED

Utility knife

Stubby Phillips screwdriver

## Illustration of the Nose Mask on the Vehicle



NOSE MASK

QB81001AB

## INSTALLATION

**Customer Information:** The information in this installation instruction is intended for use only by skilled technicians who have the proper tools, equipment, and training to correctly and safely add equipment to your vehicle. These procedures should not be attempted by "do-it-yourselfers."

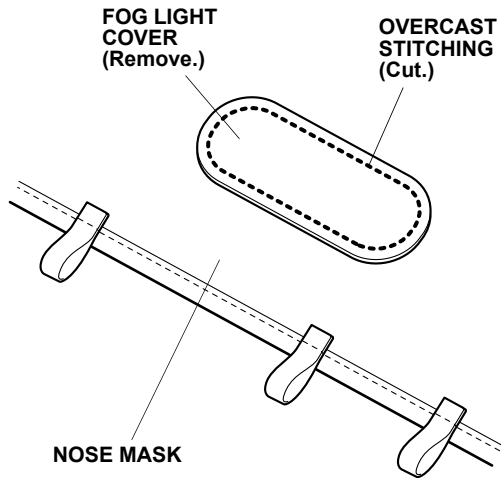
### NOTE:

- Make sure the vehicle and the nose mask are clean and completely dry before installation. If the moisture under the mask is allowed to dry, it may cloud the paint. If the mask becomes wet, remove it and allow it to air-dry completely.
- Make sure any repainted surfaces are cured.
- Make sure the nose of the vehicle have been waxed with a high-quality paste wax.
- Make sure to install the nose mask securely. If the nose mask starts to flap or comes loose while driving, safely pull to the side of the road, stop the vehicle, and re-secure or remove the mask. Please advise the customer.
- This nose mask cannot be installed with accessory front under spoilers.

## With Fog Lights

If the vehicle is equipped with the fog lights, cut out the piece of the nose mask that covers the fog lights:

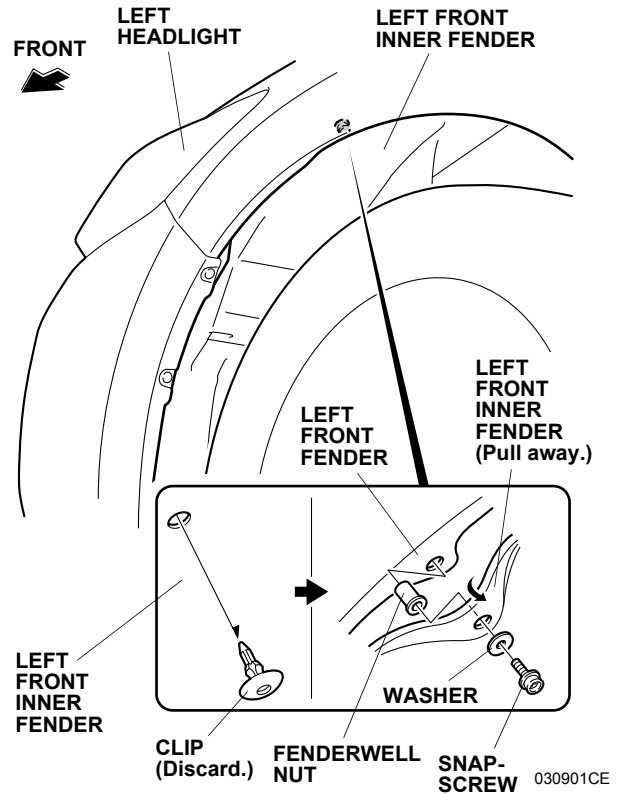
- Face the inside of the mask toward you.
- Carefully cut out the overcast stitching with an utility knife. Remove the stitching and the fog light cover.
- Repeat the same procedure on the other side.



QB81002AB

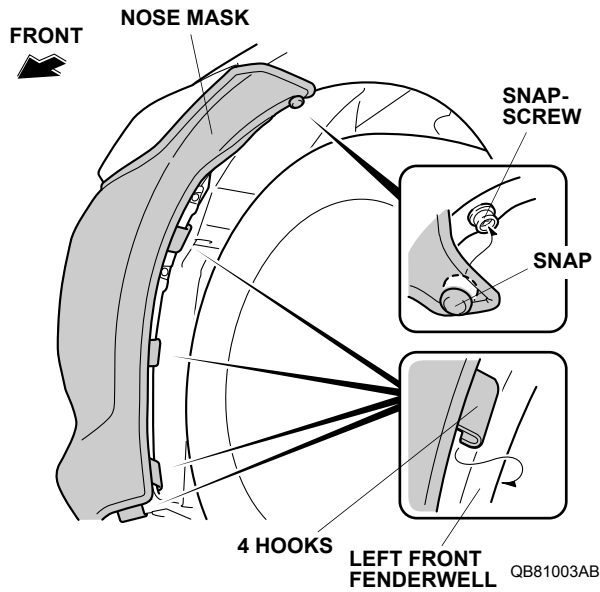
## Installing the Nose Mask

1. Turn the steering wheel fully clockwise.

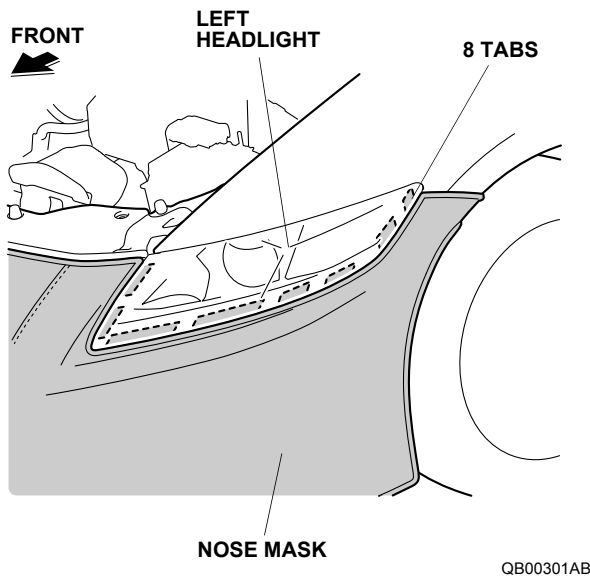


2. Remove and discard one clip from the left front inner fender.
3. Install one fenderwell nut into the left front fender.
4. Place one washer to one snap-screw and install the snap-screw into the fenderwell nut.
5. Turn the steering wheel fully counterclockwise, and repeat steps 2 through 4 to install a snap-screw to the right front inner fender.

- Pull the mask back toward the left front inner fender, smooth out any wrinkles, and secure one snap on the nose mask to the snap-screw.

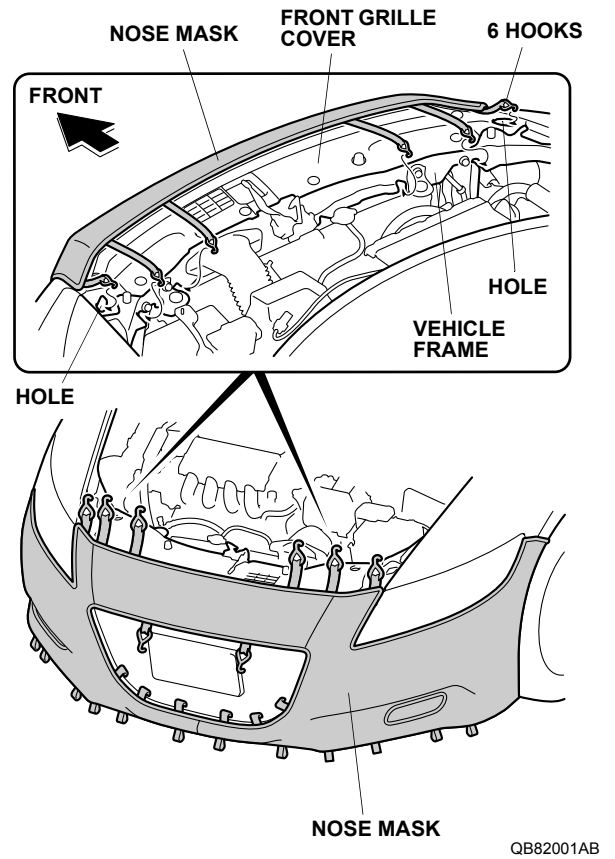


- Secure the four hooks on the nose mask to the left front fenderwell.
- Repeat the steps 6 and 7 on the right side of the vehicle.
- Open the hood. Insert the eight tabs on the nose mask between the left headlight and the bumper.

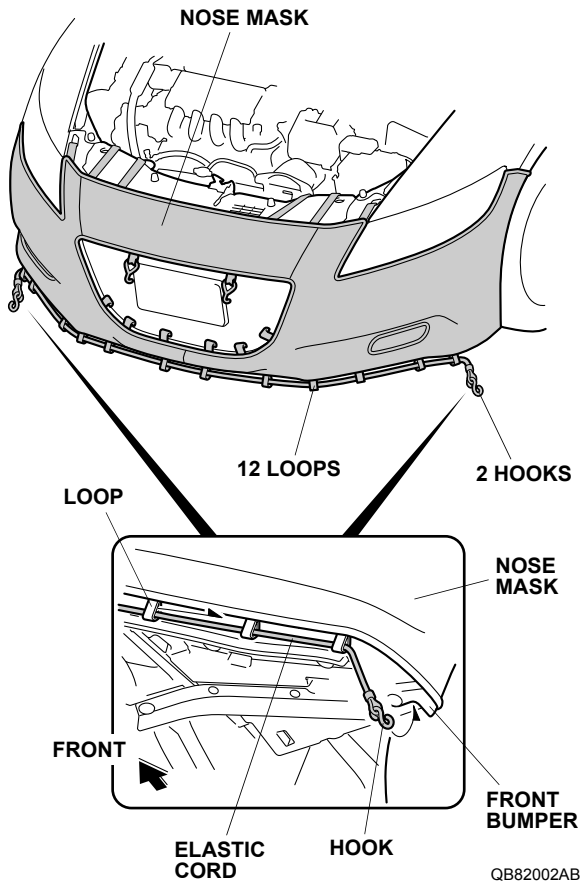


- Repeat the same procedure on the right side of the vehicle.

- Secure six hooks on the nose mask to the vehicle as shown.

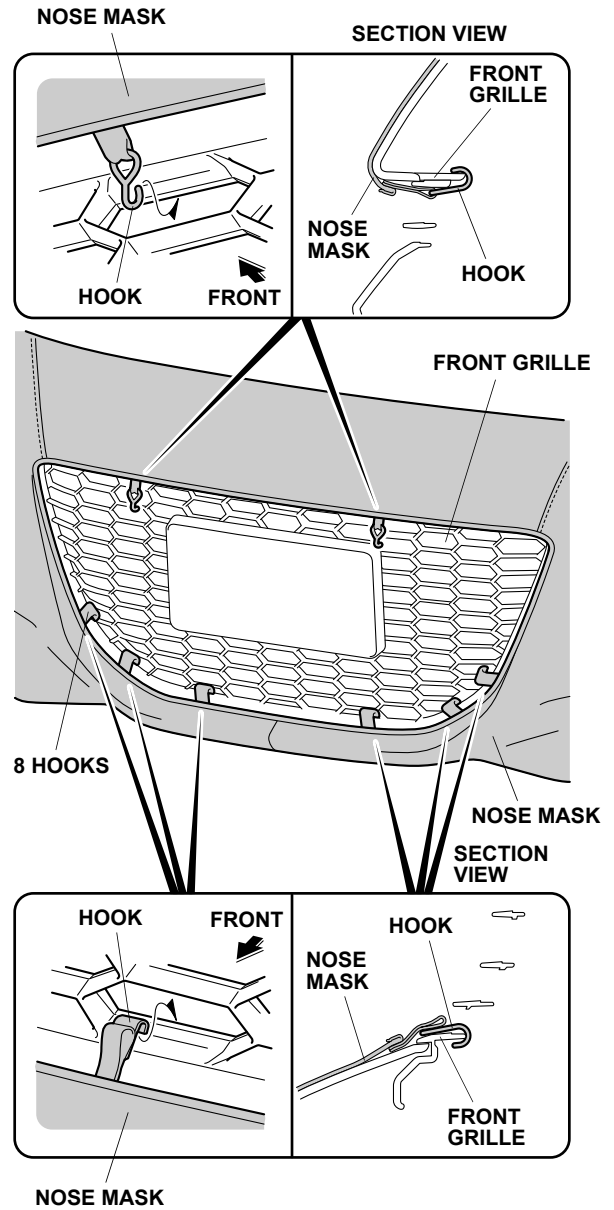


- Route the elastic cord through the twelve loops on the bottom of the nose mask.



- Secure one hook on the elastic cord to the bottom of the vehicle as shown.
- Stretch out the elastic cord after routing it through each loop then secure the other end of the hook to the vehicle.

- Secure the eight hooks on the nose mask to the inside edge of the front grille as shown.



- Close the hood, and adjust the position of the nose mask to the hood.

### CLEANING THE NOSE MASK

Use a sponge or cloth with a solution of mild liquid dishwashing soap and water to clean the vinyl and the flannel backing. Rinse the mask completely with a clean water, and hang it to dry out of direct sunlight. Make sure the mask is completely dry before you reinstall it.